

DATE  
DEC. 13, 2010  
CAT. #: NP0254

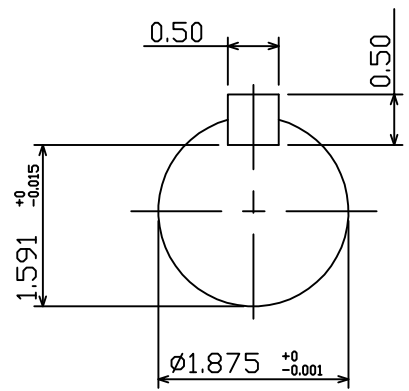
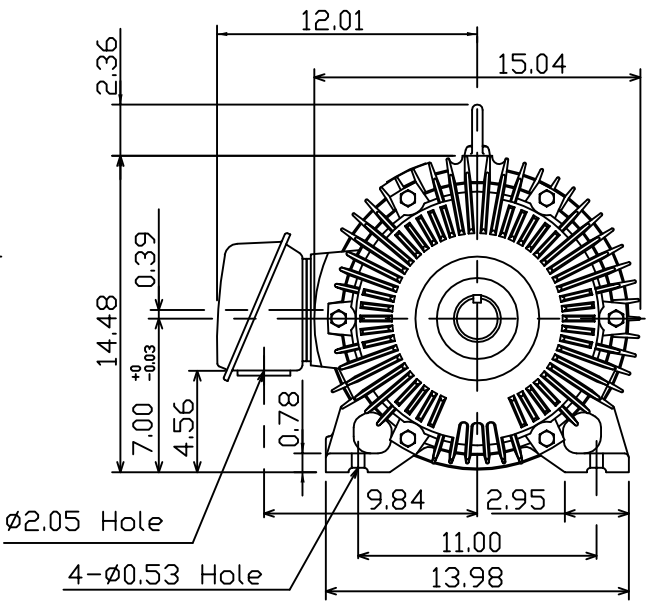
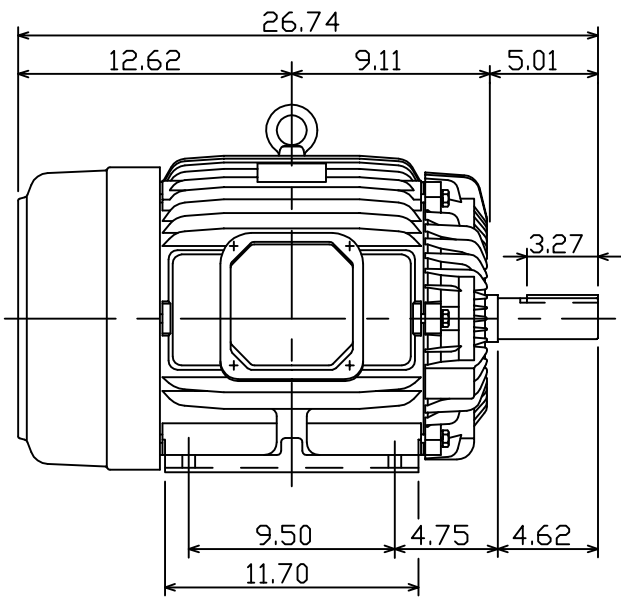
OUTLINE DIMENSIONS  
3-PHASE INDUCTION MOTOR

MOTOR TYPE:  
AEHH8P  
FRAME NO. 284T

Pole	HP	kW	Hz	VOLT	Syn.Speed r/min(rpm)
4	25	18.7	60	230/460	1800

Ins	Rating	Dimension in	Approx Weight	Bearings	
F	CONT.	inches	399 lbs.	DE: 6311ZZ	NDE: 6310ZZ

Totally Enclosed Fan-Cooled Type.Squirrel-Cage Rotor.



12.06.10 郭耿良

DWN, J.H.LIANG 06-25-98  
CHKD, C.H.KAO 06-29-98  
APPD, Y.B.HUANG 06-29-98



DWG NO.  
31057H206002