

DATE
NOV. 23, 2010

CAT. #: NP0022

OUTLINE DIMENSIONS

3-PHASE INDUCTION MOTOR

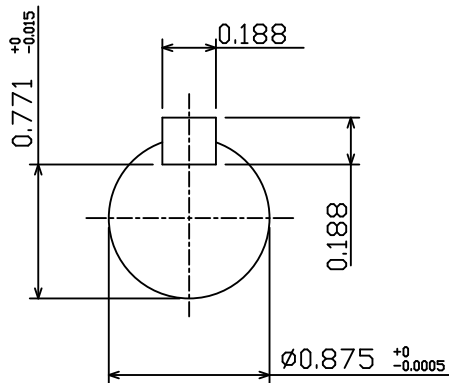
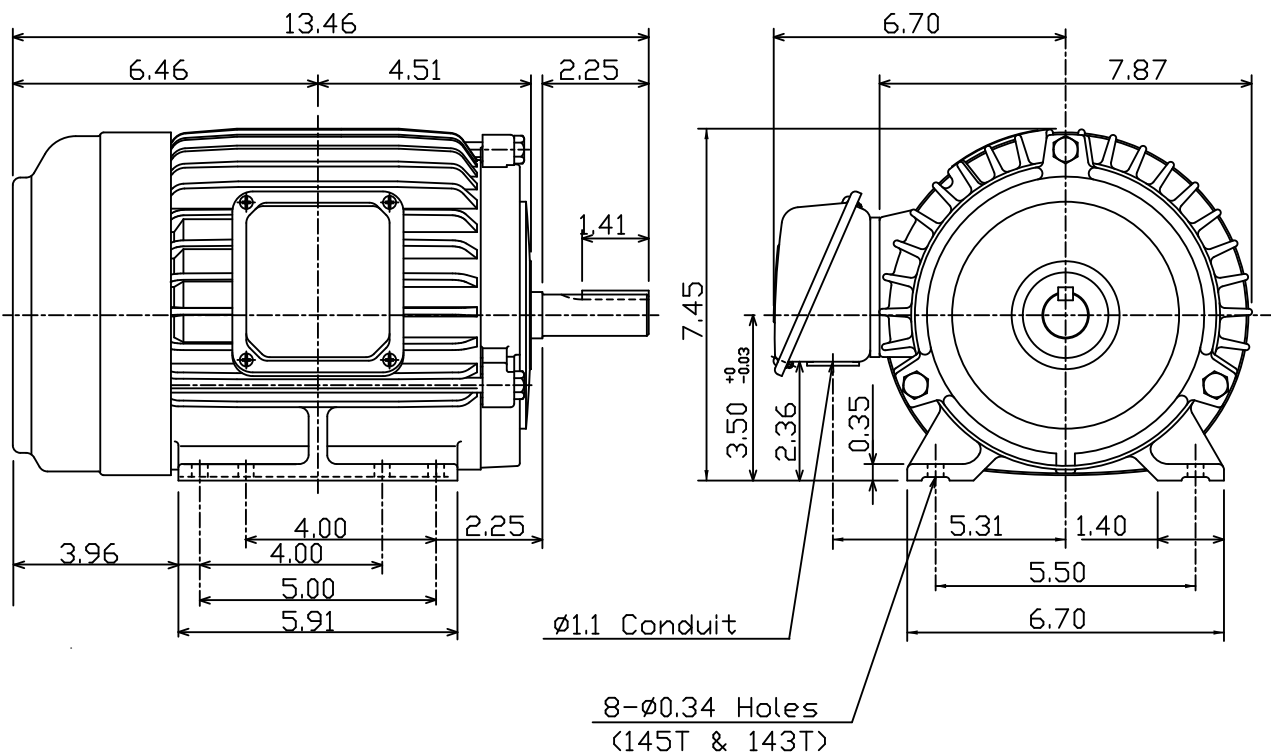
MOTOR TYPE:
AEHH8P

FRAME NO. 145T

| Pole | HP | kW | Hz | VOLT | Syn. Speed r/min(rpm) |
|------|----|------|----|---------|--------------------------|
| 2 | 2 | 1.49 | 50 | 190/380 | 3000 |

| Ins | Rating | Dimension in | Approx Weight | Bearings |
|-----|--------|--------------|---------------|------------------------|
| F | CONT. | inch | 53 lbs. | DE: 6205ZZ NDE: 6205ZZ |

Totally Enclosed Fan-Cooled Type. Squirrel-Cage Rotor.



| | | |
|-------|-----------|----------|
| DWN. | J.H.LIANG | 05-20-99 |
| CHKD. | C.S.LO | 05-26-99 |
| APPD. | Y.B.HUANG | 05-26-99 |



DWG NO.
31049D188170